

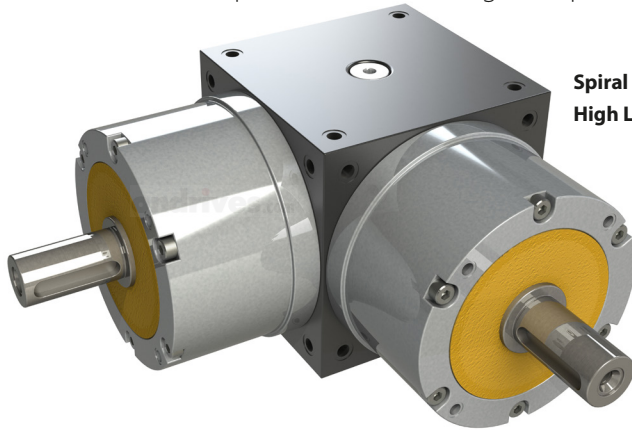
SBC-90-K

ondrives

Precision Gears

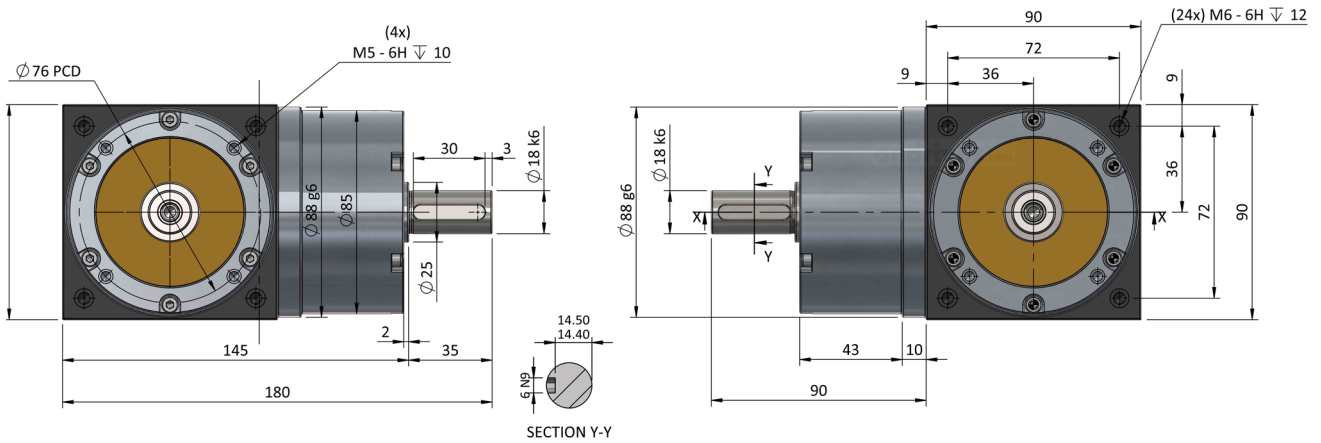
Spiral Bevel 90mm Cube Gearboxes

18mm Input Shaft • 18mm Single Output Shaft • T_{2max} 100Nm • 1:1



Spiral Bevel Cube - Ground Spiral Bevel Teeth - Optimized tooth contact TCA.

High Load Capacity - Taper roller bearing design in high strength aluminium housing.



Output Backlash j	Part Numbers	Output Backlash j AR	Gear Ratio i	Efficiency ηz	Nom. Output Torque	≈ Thermal Rating	Reflected Inertia at Input
≤0.166°	Output Backlash j A	≤0.066°		n1nom	S5 T _{2n}	S1 kW	kg·m ²
SBC-90-K-1	SBC-90-K-1A	SBC-90-K-1AR	1:1	≈ 98%	50Nm	4	3.03x10 ⁻⁴

Weight: 5.3 kg.

Nom. Input Speed [S5 T_{2n}] n1nom: 1,500 min⁻¹ (r/min)

Max. Input Speed n1max: 5,500 min⁻¹ (r/min)

Shaft Seals: Fluoro-Elastomer FPM ISO 1629 /FKM ASTM D141 H

Lubrication: Klubersynth GH 6-150 Fully Synthetic Polyglycol Oil.

Lubrication Temperature: Max. Operating ≈ 95°C.

Max. Input Radial Load F_{r1}: 1500N.

Max. Input Axial Load F_{a1}: 750N.

Max. Output Radial Load F_{r2}: 1500N.

Max. Output Axial Load F_{a2}: 750N.

Testing in your application is necessary.

You will need to assess duty cycles and confirm suitability with your own calculations.

Figures listed are for guidance only.

Lubrication filled with Klubersynth polyglycol GH6 synthetic high performance oil - not to be mixed with other types - VG ISO depends on speed/application.

Cooling may be needed dependent on application.

Max Acceleration Torque T_{2b}: 1.5•T_{2n} <1000 Cycles per 60min

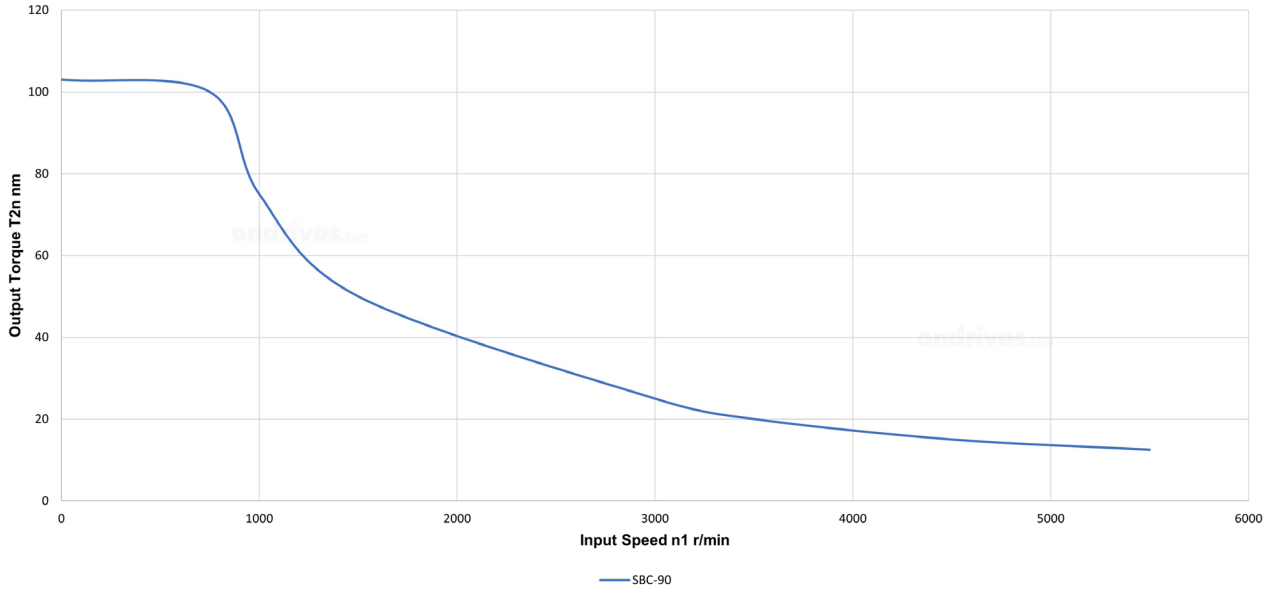
Emergency Stop Torque T_{2not}: 2•T_{2n} <1000 Cycles in Lifetime

DIN 3990 ISO 6336 application factor K_a needed for use guide.

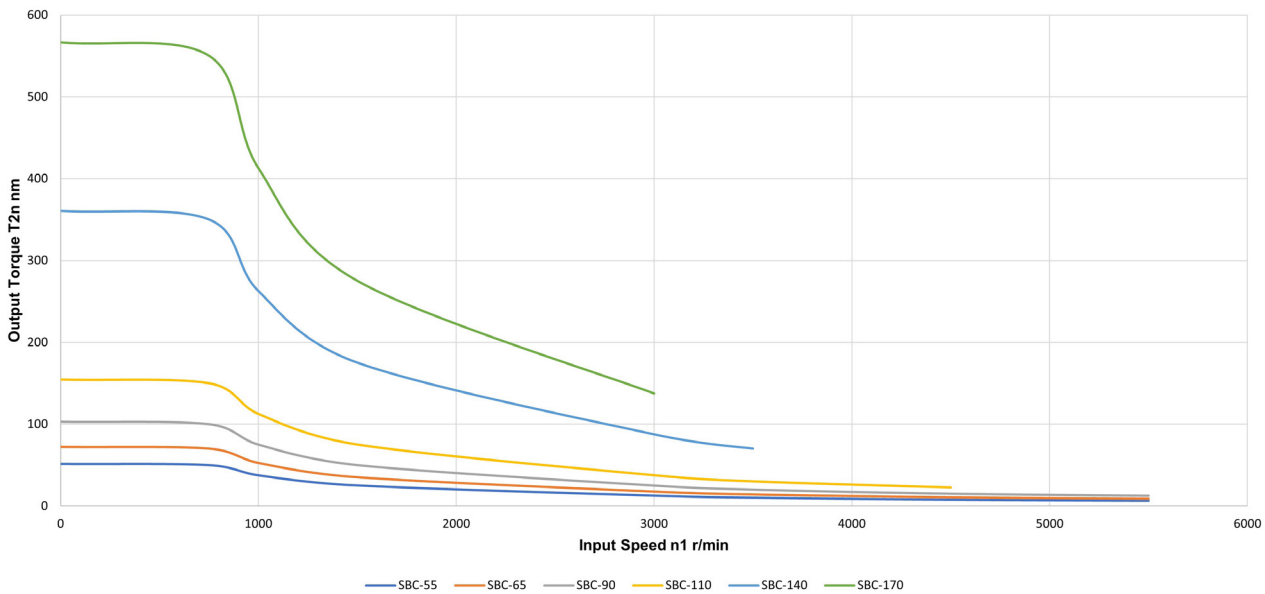
Spiral Bevel 90mm Cube Gearboxes

18mm Input Shaft • 18mm Single Output Shaft • T_{2max} 100Nm • 1:1

SBC Spiral Bevel Cube Gearbox



SBC Series Spiral Bevel Cube Gearboxes



Spiral Bevel Cube Gearbox